

*"IT'S NOT A BATTERY, IT'S A BANSHEE"*

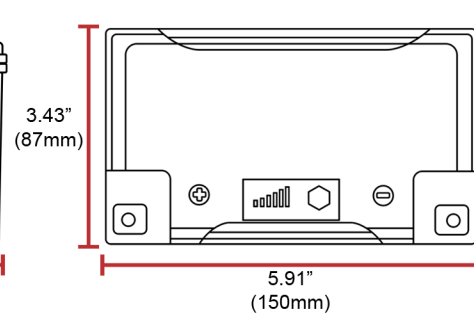
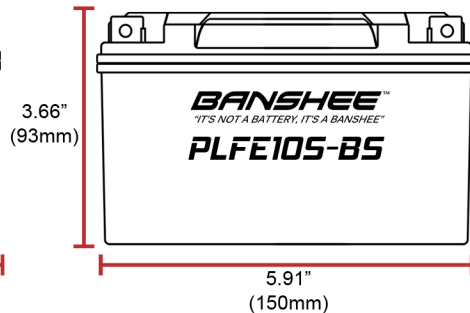
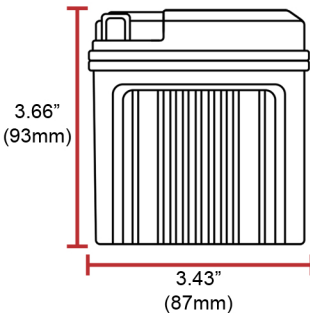
## PLFE10S-BS

Chemistry	LiFePO4 (Lithium Iron Phosphate)
Nominal Voltage	12.8V
Nominal Capacity (PbEq)	4Ah (8Ah)
Energy	51.2Wh
Weight	2.15 lbs (0.98 kg)
Charging Operating Temperature	0°C ~ 45°C
Cycle Life	≥1500 Cycles
Charge Voltage	14.4V
Discharge Operating Temperature	-20°C ~ 55°C
Standard Discharge Current	4A ; 1C
Max. Continuous Discharge Current	160A ; 40C
Discharge Cut-Off Voltage	8.0V
Initial Impedance	≤12mΩ



## Dimensions

Length	5.91" (150mm)
Width	3.43" (87mm)
Height	3.66" (93mm)



## Power Indicator Meanings

Battery is normal; Fully charged.

Battery is normal; Needs to be charged.

Do not continue use ; Needs to be charged.

Battery is abnormal ; Do not use.

## Warnings & Cautions

- Do not reverse the positive (+) and negative (-) terminals. Do not connect the battery to charger's input power source (AC power supply) directly.
- Do not let the battery terminals contact with unnecessary wire or any other metals, or store them together to avoid short circuit.
- Do not stab, knock, throw or step on the battery.
- Do not disassemble the battery or modify outside structure of the battery.
- Do not use the battery under blazing sun, as this may cause overheating, fire or damage to the battery.
- Do not put the battery into fire or heat the battery; do not store the battery in high temperature environment.
- Do not submerge the battery in water or get wet in the rain. Store the battery in shady and cool place.
- Do not charge the battery continuously over 24 hour.
- Once any abnormal smell or noise occurred during charging or discharging, please stop charging or discharging immediately, and contact the manufacturer.
- When the battery is used out of 0~50°C the capacity may decrease, which doesn't mean the battery is damaged.